

Touchpanel TP720 / TP1020

» for universal cooking, smoking, climatic smoke and maturing chambers

aditec
CONTROLS for
FOODTECHNOLOGY

» OVERVIEW



Abb. TP720 (7")

Abb. TP1020 (10,4")

The industrial screen TP720 / TP1020 with touch screen surface of 7" / 10,4", TFT-Display with projective-capacitive touch technology (PCT), several interfaces, a housing conforming to industrial standard is designed to be used in universal cooking and smoking chambers, as well as climatic smoke and maturing chambers.

Up to 6 devices can be controlled via one touch panel.



Touch Panels TP720 + TP1020 are used in combination with the freely-programmable controllers (SPS/PLC) MS120 or MS220!

(☞ s. corresponding data sheet)

The several interfaces enables you to transfer data between the touch screen TP720 / TP1020 and a PC.

Programming of the controller via a PC is easier because of the **aditec service programme**.

The visualization programme **aditec „VisuNet“** offers the possibility of linking the controller to a super-ordinate programme-surveillance and of logging temperature and humidity trends, processes etc.. It thereby ensures a comprehensive **quality control** of the products treated in the units in accordance with **HACCP and IFS (ISO 9000)**.

Use the **remote maintenance system/telecontrol system aditec-control** to not only run and monitor the **VisuNet programme** but to also make changes to the system, from anywhere you happen to be (Internet).

aditec Service programme – free of charge for our customers!

An easy to use, menu-guided service programme for the basic configuration, which means freely programmable relays, treatment types, programme steps, as well as user programmes with user-defined labelling of programmes under WIN7 / 8.0 / 8.1 / Server 2008 / Server 2012.

Stand 18.09.20_05



» CHARACTERISTICS

- brilliant 7" or 10,4" TFT-Color display with touch screen in projective-capacitive touch technology (PCT); with glass panel (especially resistant) for use in rough environment
- frame and housing made of robust stainless steel, ideally suited for the food industry
- 1-250 programs, at 1-200 steps each. Altogether max. 5000 steps selectable (number of programs and steps can be adjusted individually)
- you can take a look at the last 20 programs as a graphical and digital representation
- easy operation
- text display can be switched to a different language
- your own notebook to leave messages
- most important texts are freely programmable
- messages as scrolling text display
- configuration is protected by codes
- 48 programmable process texts
- in- and outputs are freely programmable (☞ s. data sheet MS120 or MS220)
- programmable nominal value limits
- all nominal values can be displayed during operation and transiently changed
- option of either relative humidity control or impulse humidifying (interval steaming)
- each control loop can be pre-programmed to be a two-point controller, a XP-controller or PID
- Delta-T-cooking
- F-value-cooking (FC 70-10), FC 121-10 or individually
- options for shut down (at end of a step) are: Time limit, exceeding the core temperature value or the humidity value (drying), FC-value or cooling (falling below the core temperature value)
- step time up to 99h : 59min or continuous operation
- copying, inserting or deleting steps
- step repetition
- entering a batch number
- autom. increase of batch number (+1) at program start
- user rights for administrators via RFID reader (contactless user identification)
- actual value alarms (limit value) for temperat. and humidity
- change-over of the measurement unit °C - °F
- interfaces: LAN (RJ45), USB Serial Port for PC connection.
- via the USB Serial port you can make a firmware update any time, easy transfer of programs and settings
- programme that were interrupted through a power cut are resumed at the point where they stopped when power restored
- freely programmable logic with AND/OR linked and timer
- graphical display with actual and nominal values
- data logger function

» additional features for climate control:

- individual nominal value entry for heating and cooling, humidification and dehumidification (min./max. temperatures, humidity)
- gentle motor start-up
- control of ventilation motor (also infinitely variable) is dependent on temperature and/or humidity (intelligent air-circulation control)
- automatic shut-down of the cooling function (cooling aggregate) through user-defined upper limit of actual and/or nominal values
- regulation with outside air / Enthalpy

Touchpanel TP720 / TP1020

» for universal cooking, smoking, climatic smoke and maturing chambers

aditec
CONTROLS for
FOODTECHNOLOGY

» TECHNICAL DATA

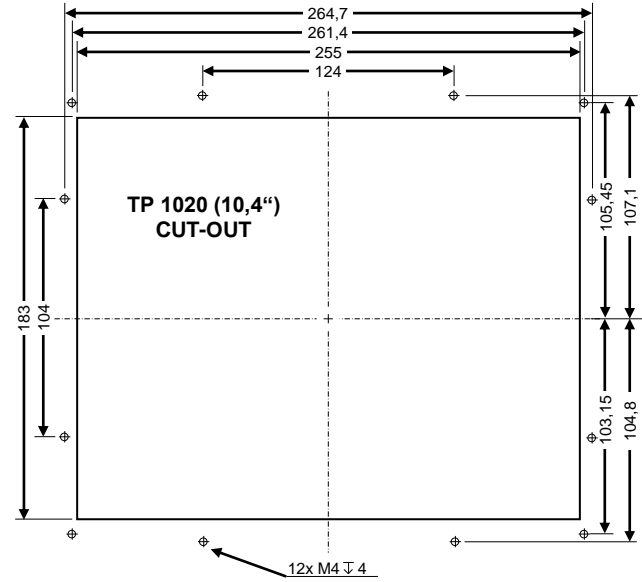
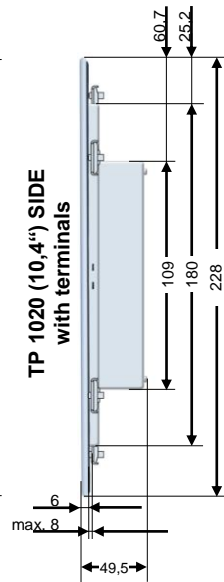
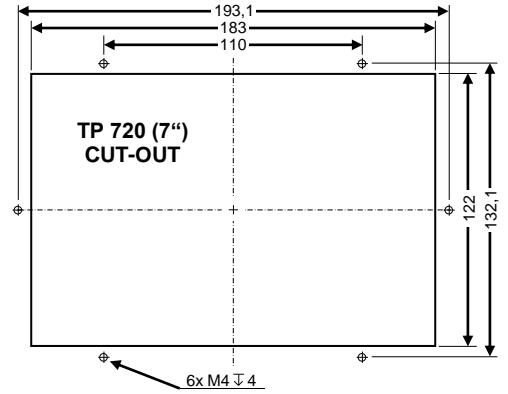
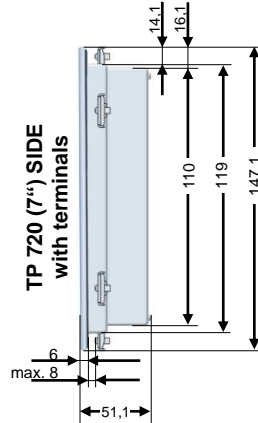
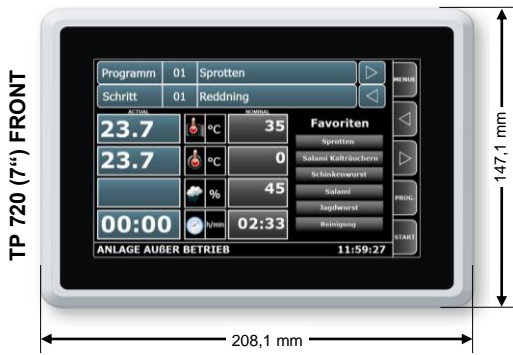
General data Panel	TP720	TP1020
LCD size	7" (17,8 cm screen diagonal)	10,4" (26,4 cm screen diagonal)
Resolution	800 x 480 WVGA	800 x 600
Aspect ratio	16:9	4:3
Technology	TFT	TFT
Colours	262K	262K
Backlight	LED	LED
Luminance	1000 cd/m ²	400 cd/m ²
Contrast ratio	400:1	400:1
Touch	capacitive (PCT), anti-glare surface	capacitive (PCT), anti-glare surface
System		
Central unit (CPU)	NVIDIA ® Tegra™ 2 Dual Core 1.0 GHz Cortex-A9	
Graphik	Integrated Ultra-low power NVIDIA GeForce GPU	
Main memory	512 MB DDR2 RAM	
Applications memory	1 GB NAND FLASH MicroSD (up to 32GB)	
Operating system	Windows Embedded Compact 7	
Battery	Lithium	
Serial interfaces		
USB	2x USB Host (Typ A)	2x USB Host (Typ A)
Ethernet/LAN	2x 100Mbit Ethernet/LAN (RJ 45)	2x 100Mbit Ethernet/LAN (RJ 45)
Communication	1x serial interface RS232 (Sub D) 1x serial interface RS485 over terminals	2x serial interface RS232 (Sub D) 1x serial interface RS485 over terminals
Memory	1x MicroSD Card Slot	1x MicroSD Card Slot
Supply		
Power supply	24 VDC +/-20%	24 VDC +/-20%
Power consumption	7W	8W
Switch ON/OFF	yes	yes
Environment		
Material front	stainless steel frame, silver	stainless steel frame, silver
Housing	stainless steel	stainless steel
Cooling	passive (without fan)	passive (without fan)
Dimensions	External dimensions W x H x T: 208,1 x 147,1 x 51,1 mm Mounting dimensions BxH: 183 x 122	External dimensions W x H x T: 280,8 x 228 x 49,5 mm Mounting dimensions BxH: 255 x 183
Own weight	1,3 kg	2,0 kg
Operating temperature	0 - 50°C	0 - 50°C
Storage temperature	-10°C - 70°C	-10°C - 70°C
Air humidity	5% - 80% (non-condensing)	5% - 80% (non condensing)
Atmosphere	Non-aggressive gases	Non-aggressive gases
Protection class	IP 65 front IP 20 rear side	IP 65 front IP 20 rear side
Certification	CE, EN55022, EN55024, DIN EN ISO 9001	CE, EN55022, EN55024, DIN EN ISO 9001

Stand 18.09.20_05

Touchpanel TP720 / TP1020

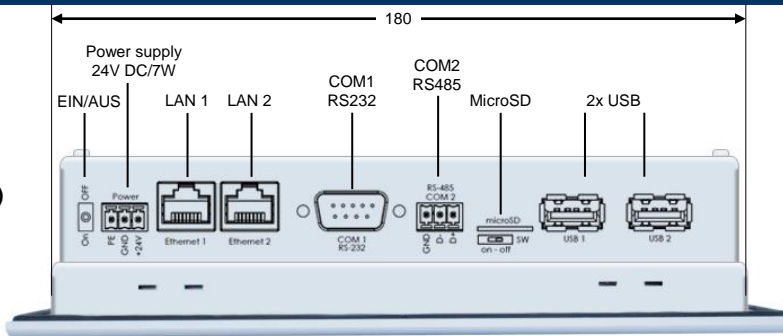
» for universal cooking, smoking, climatic smoke and maturing chambers

» DIMENSIONS

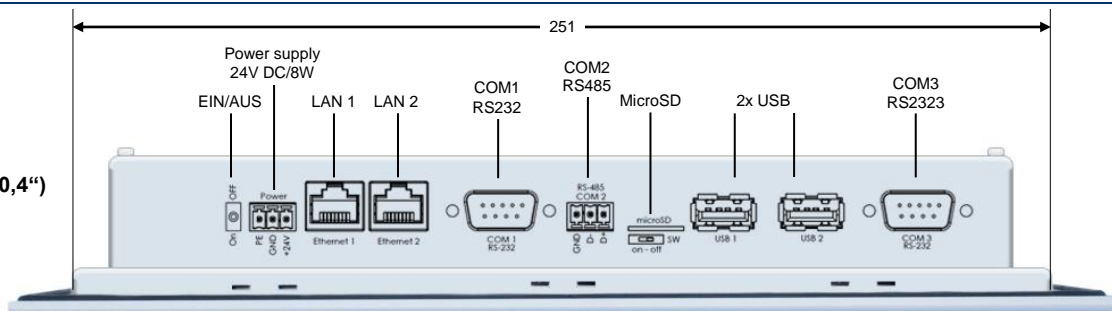


» SERIAL INTERFACES

TP 720 (7") BOTTOM



TP 1020 (10,4") BOTTOM



Stand 18.09.20_05